



General Notes

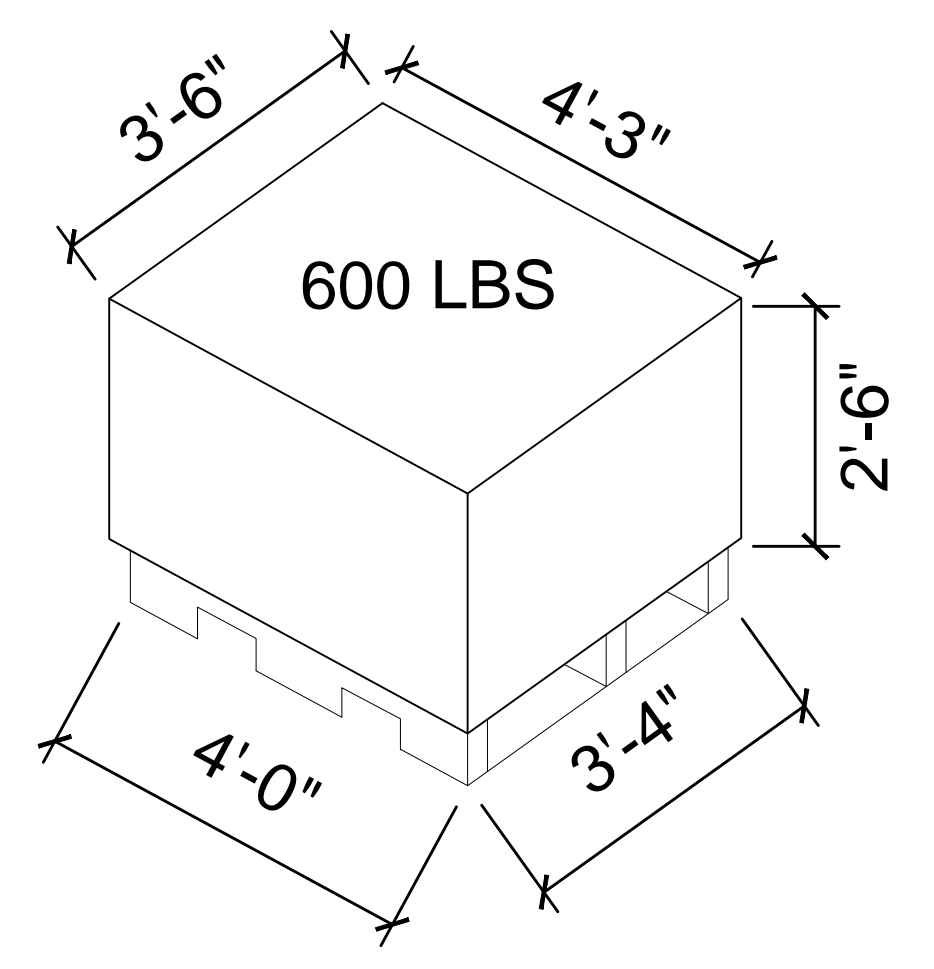
No.	Revision / Issue	Date

Sheet Title:  
PALLET RACKING ELEVATIONS

Firm Name and Address:  
CAMARA INDUSTRIES, INC.

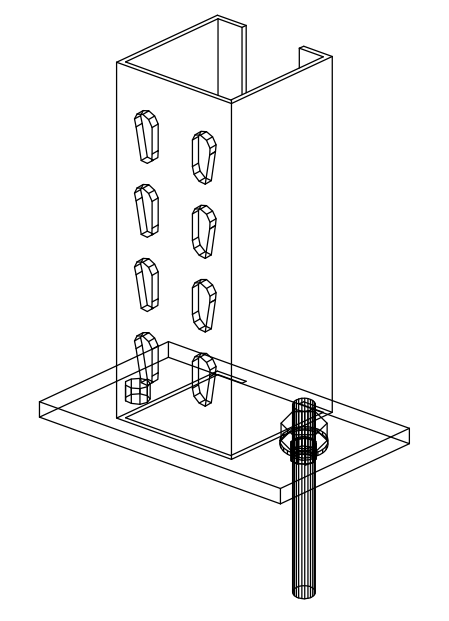
Project Name and Address:  
**SAMPLE DRAWING**

Project:	N/A	2
Date:	N/A	
Scale:	1/8" = 1'-0"	
Drawn:	I.C.	
Check:	IC	

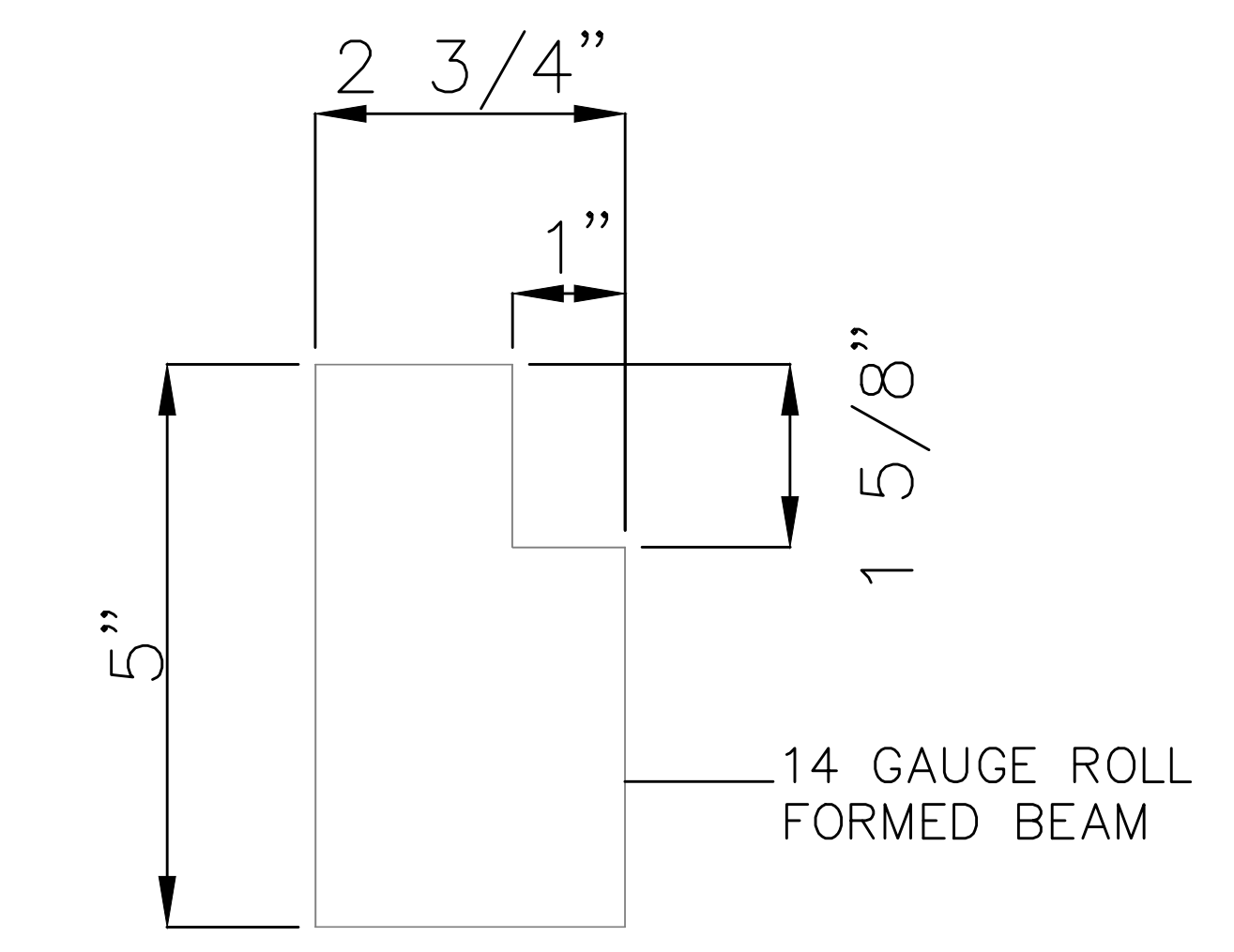


STANDARD PALLET DETAIL

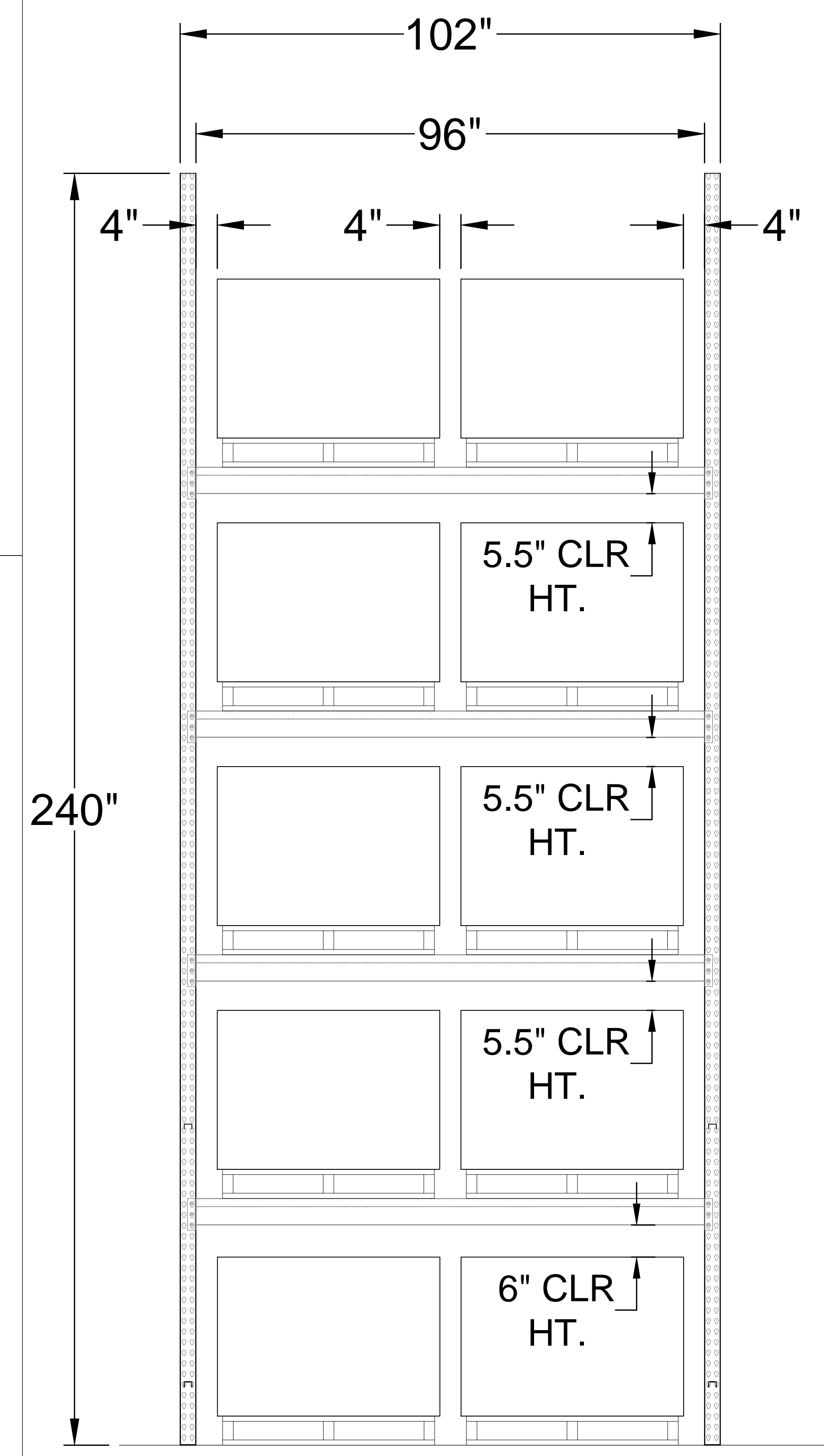
TYP. ANCHOR BOLT  
INSTALATION AT  
UP RIGHT



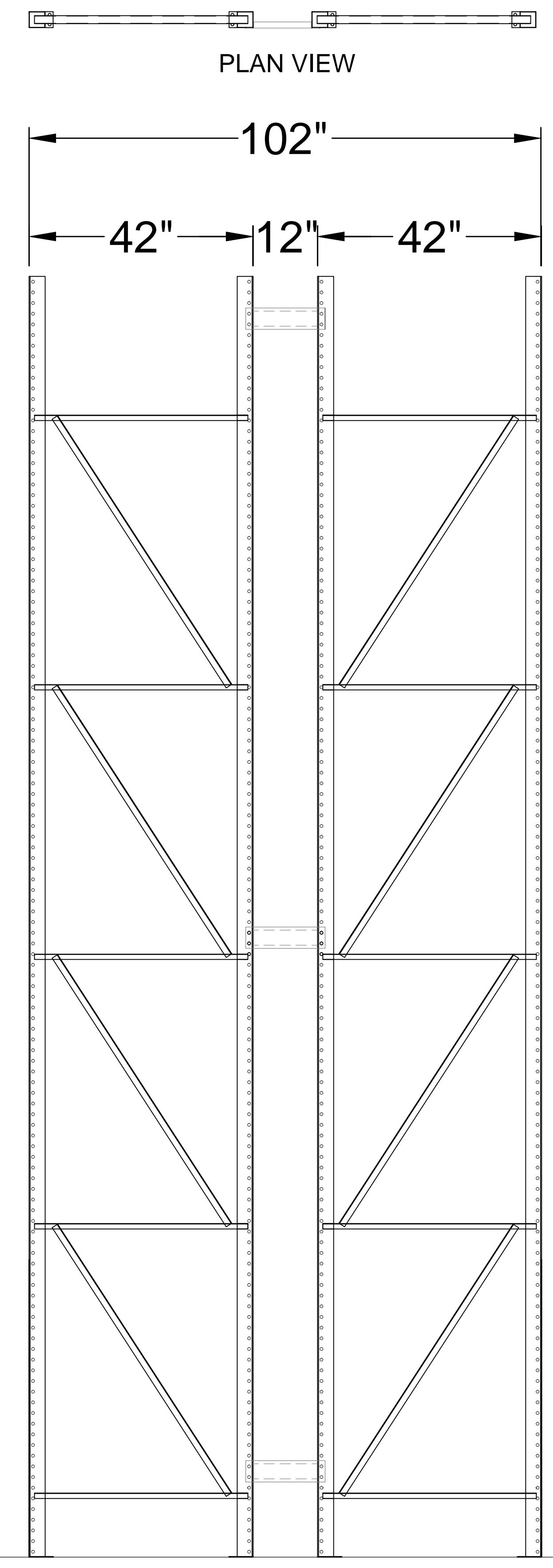
ONE-1/2"Ø X 4"  
WEDGE ANCHOR  
PER FT PLATE.



ROLL FORMED BEAM DETAIL



FRONT VIEW  
OF PALLET RACK BAY



SIDE VIEW OF UPRIGHT FRAMES  
AND ROW SPACERS

NOTE: THESE DRAWINGS SUPPLIED WITH THIS QUOTE ARE EXCLUSIVELY PROPERTY OF CAMARA INDUSTRIES, INC. AND SHALL NOT BE GIVEN, SHOWN, OR SHARED WITH ANY OTHER COMPANY OR INDIVIDUAL RELATED TO THE BIDDING PROCESS OF THIS PROJECT. CUSTOMER WILL BE SUPPLIED WITH FINAL DRAWINGS ONCE QUOTE BECOMES A SALE.